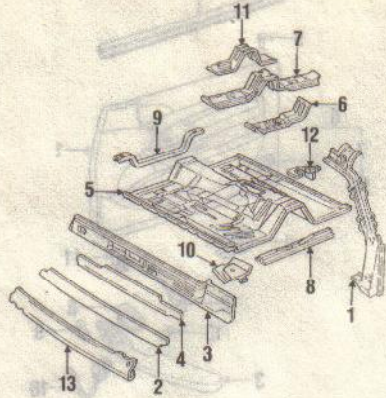


1000	95-96 R	130.45 #	0.4	F5LY 6304104 BHA
1001	95-96 L	390.43 #	0.4	F5LY 6304105 BHA
1371	97 R	123.64 #	0.4	F7LZ 6304104 AAD
1372	97 L	395.94 #	0.4	F7LZ 6304106 CAD
1619	98 R	123.64 #	0.4	F7LZ 6304104 BAE
1620	98 L	395.94 #	0.4	F7LZ 6304105 BAJ

# PARTS: Order by color and application.  
 † PARTS: Part listed in the SUNROOF subgroup.

**PILLARS, ROCKER & FLOOR**



**OVERLAP OPERATIONS**

R&R rocker panel with hinge pillar off

1488	deduct	93-98	1.0
------	--------	-------	-----

**PARTS AND R&R OPERATIONS**

<b>HINGE PILLAR</b>				
267	1 Hinge pillar	(p1.0) 93-96 R	285.94 † s	7.5 F3LY 6302500 A
268		(p1.0) 93-96 L	285.94 † s	7.5 F3LY 6302501 A
1373		(p1.0) 97-98 R	230.37 † s	7.5 F7LZ 6302500 AD
1374		(p1.0) 97-98 L	238.28 † s	7.5 F7LZ 6302501 AA

<b>ROCKER</b>				
434	2 Outer panel	(p1.5) 93-96 R	70.08 s	6.0 F7SZ 6310120 AB
435		(p1.5) 93-96 L	71.15 s	6.0 F7SZ 6310121 AB
1375		(p1.5) 97-98 R	70.08 s	6.0 F7SZ 6310120 AB
1376		(p1.5) 97-98 L	71.15 s	6.0 F7SZ 6310121 AB
436	3 Inner panel	93-96 R	95.99 # s	3.5 F3LY 6310116 A
437		93-96 L	95.99 # s	3.5 F3LY 6310117 A
1621		97-98 R	88.17 # s	3.5 F7LZ 6310116 AA
1622		97-98 L	76.95 # s	3.5 F7LZ 6310117 AA
438	4 Reinforcement	93-98 R	50.63	F5SZ 6310132 A
439		93-98 L	53.29	F5SZ 6310133 A

<b>FLOOR</b>				
442	5 Front floor pan	93	179.47	F3LY 6311135 A
872		94-98	173.84	F4LY 6311135 A

<b>Crossmember</b>				
443	6 no.1	93-98 R	90.19	F3SZ 6310692 A
444		93-98 L	90.19	E9SZ 6310693 A
445	7 no.2	93-98	47.50	F3LY 6310728 A
20108	8 Rear reinf	93-98	51.63	E9SZ 6311144 A

<b>Reinforcement</b>				
446	8 front	93-98	51.63	E9SZ 6311144 A
11379	9 rear	93-98	14.50	F7LY 6310285 AA

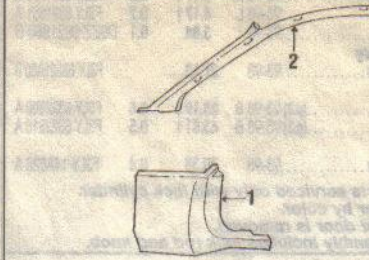
<b>10 Inner reinf</b>				
448	seat track	93-98 R	35.34	E9SZ 6311634 A
1138		93-98 L	20.39	E9SZ 6311635 A

<b>11 Reinforcement</b>				
449	drive shaft	93-94	27.47	F3LY 4A315 A
1002	to 1/94	94-98	60.26	F4LY 4A315 A

<b>12 Mount bracket</b>				
450	instrument panel	93-98	10.37	F3LY 6304C74 A
812	parking brake cable	93-98	23.95	E9SZ 2530 A

<b>EXTERIOR TRIM</b>				
440	13 Rocker molding	93-96 R	70.08	1.0 F7SZ 6310120 AB
441		93-96 L	71.15	1.0 F7SZ 6310121 AB
1377		97-98 R	70.08	1.0 F7SZ 6310120 AB
1378		97-98 L	71.15	1.0 F7SZ 6310121 AB

# LABOR: After outer panel is removed.  
 ‡ LABOR: After fender, door, windshield, instrument panel and necessary bolted on parts are removed.



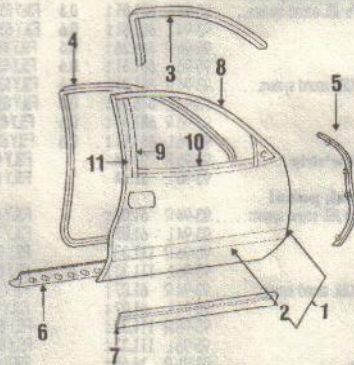
<b>INTERIOR TRIM</b>				
595	1 Cowl trim	93-97 R	80.26 #	0.3 F3LY 6302344 ACZ
596		93-97 L	80.26 #	0.3 F3LY 6302345 ACZ
1623		98 R	76.08 #	0.3 F4LZ 6302344 AAC
1624		98 L	76.08 #	0.3 F4LZ 6302345 AAC

<b>2 Windshield trim</b>				
597	w/o mobile phone	93-96 R	66.55 #	0.4 F3LY 6351752 E
598		93-96 L	66.55 #	0.4 F6LZ 6352016 AAJ
1379		97 R	66.55 #	0.4 F7LZ 6351752 AAD
1380		97 L	66.55 #	0.4 F7LZ 6351753 AAD
1625		98 R	66.55 #	0.4 F7LZ 6351752 AAF
1626		98 L	66.55 #	0.4 F7LZ 6351753 AAF
599	w/mobile phone	93-96 R	66.55 #	0.4 F3LY 6351752 E
600		93-96 L	133.89 #	0.4 F3LY 6351753 K
1381		97 R	66.55 #	0.4 F7LZ 6351752 AAD
1382		97 L	66.55 #	0.4 F7LZ 6351753 AAJ
1627		98 R	66.55 #	0.4 F7LZ 6351752 AAB
1628		98 L	66.55 #	0.4 F7LZ 6351753 AAB
451	Sill plate	93-96 R	32.53 #	0.4 F3LY 6313208 E
452		93-96 L	32.53 #	0.4 F3LY 6313209 E
1383		97-98 R	36.16 #	0.4 F7LZ 6313208 AA
1384		97-98 L	36.16 #	0.4 F7LZ 6313209 AA

# PARTS: Order by color and application.

**DOOR**

Except Door Shell or Door Outer Panel R&R, all operation times in the following group are after door trim panel is removed.



**REFINISHING NOTES**

878	Refn door shell exterior surface only	93-98	p2.8
879	edges	93-98	p.5
880	inner panel	93-98	p.5
<b>Refn outer panel</b>			
1492	exterior surface only	93-98	p2.8
1493	edges	93-98	p.5
1494	inner panel	93-98	p.5

**ADD IF REQUIRED**

882	R&R door shell	93-98	0.3
1495	add for mirror	93-98	0.3
1495	R&R outer panel	93-98	0.3
1495	add for mirror	93-98	0.3

**R&I OPERATIONS**

380	R&I door Assy	93-98 B	1.2
381	R&I trim panel	93-98 B	0.4

**PARTS AND R&R OPERATIONS**

<b>DOOR &amp; COMPONENTS</b>				
382	1 Door shell	(p3.8) 93-98 R	683.03	4.5 F7LZ 6320124 AA
888		(p3.8) 93-98 L	683.03	4.8 F7LZ 6320125 AA
384	2 Outer panel	(p2.8) 93-98 R	311.02 †	6.5 F3LY 6320200 A
385		(p2.8) 93-98 L	329.75 †	6.8 F3LY 6320201 A
1387	3 Upper seal	93-98 R	58.64	0.5 F7LZ 6351822 AA
1388		93-98 L	58.64	0.5 F7LZ 6351823 AA

<b>Weatherstrip</b>				
413	4 on body	93	58.23 †	0.6 F3LY 6320708 E
1003		94-98	118.55 †	0.6 F4LY 6320708 A
792	5 on door front	93-98 R	57.05 @	0.3 F3LY 6320530 A

793		93-98 L	51.92 @	0.3 F3LY 6320531 A
415	6 lower	93-98 B	22.71	0.5 F3LY 6320758 A

<b>EXTERIOR TRIM</b>				
391	7 Body side midg	93-94 R	139.31 †	0.3 F3LY 6320938 BU
392		93-94 L	139.31 †	0.3 F3LY 6320939 BU
2015	w/o bright insert	95-98 R	105.03 †	0.3 F5LY 6320938 AM
2016		95-98 L	111.33 †	0.3 F5LY 6320939 AM
2013	w/bright insert	95-98 R	139.31 †	0.3 F3LY 6320938 BU
2014		95-98 L	139.31 †	0.3 F3LY 6320939 BU

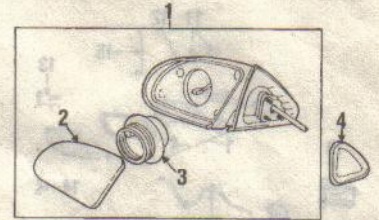
<b>Reveal molding</b>				
393	8 upper	93-98 R	59.73	0.5 F6LZ 6320846 AB
394		93-98 L	59.73	0.5 F6LZ 6320847 AB
395	9 rear	93-98 R	17.58	0.3 F3LY 6320848 AA
396		93-98 L	17.58	0.3 F3LY 6320849 AA
397	10 Belt w'strip	93-98 R	42.24 #	0.3 F4LY 6321452 A
398		93-98 L	42.24 #	0.3 F4LY 6321453 A
399	11 Pillar molding	93-98 R	25.32	0.3 F3LY 6320554 AA
400		93-98 L	25.32	0.3 F3LY 6320555 AA

# LABOR: Does not include time to gain access.

† PARTS: Order by color and application.

‡ PARTS: Part is included in Door shell.

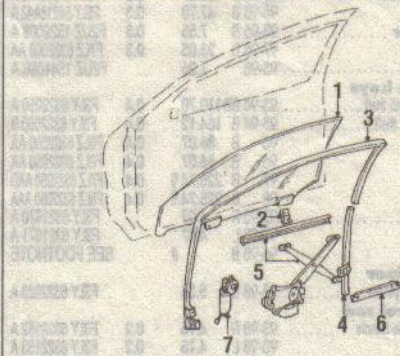
@ LABOR: After door is removed.



**OUTSIDE MIRRORS**

<b>1 Mirror Assy</b>				
387	w/o memory	(p.5) 93 R	212.15	0.3 F3LY 17682 A
388		(p.5) 93 L	216.25	0.3 F3LY 17682 B
389	w/memory	(p.5) 93 R	212.15	0.3 F3LY 17682 A
390		(p.5) 93 L	212.42	0.3 F3LY 17682 C
862		(p.5) 94-96 R	363.82	0.3 F4LY 17682 C
863		(p.5) 94-96 L	363.82	0.3 F4LY 17682 B
1391		(p.5) 97-98 R	378.08	0.3 F7LZ 17682 AA
1392		(p.5) 97-98 L	D	0.3 F7LZ 17682 BA
<b>w/memory and electrochromatic remote</b>				
864		(p.5) 94-96 R	363.82	0.3 F4LY 17682 C
865		(p.5) 94-96 L	391.67	0.3 F4LY 17682 A
1394		(p.5) 97-98 R	378.08	0.3 F7LZ 17682 AA
1393		(p.5) 97-98 L	625.00	0.3 F7LZ 17682 CA

<b>2 Glass</b>				
<b>w/o electrochromatic remote</b>				
2027		93-96 R	50.08	F3LY 17K707 A
2028		93-96 L	47.27	F3LY 17K707 B
2031		97-98 R	49.22	F7LZ 17K707 AA
2032		97-98 L	D	F7LZ 17K707 BA
<b>w/elecrochromatic remote</b>				
2029		93-96 R	50.08	F3LY 17K707 A
2030		93-96 L	257.53	F3LY 17K707 C
2033		97-98 R	49.22	F7LZ 17K707 AA
2034		97-98 L	376.02	F7LZ 17K707 CA
2017	3 Motor	93 R	39.47	F3LY 17D696 B
2018		93 L	D	F3LY 17D696 A
2019	w/memory	94-96 R	119.65	F4LY 17D696 B
2020		94-96 L	104.48	F4LY 17D696 A
<b>w/memory and electrochromatic remote</b>				
2021		94-96 R	119.65	F4LY 17D696 B
2022		94-96 L	87.19	F4LY 17D696 C
2024	all	97-98 B	102.87	F7LZ 17D696 BA
2025	4 Cover	93-98 R	7.42	F3LY 17K709 A
2026		93-98 L	7.84	F3LY 17K709 B



CONTINUED

Please contact our Product Support Group if you require assistance locating, interpreting or using any information contained in this Estimating Guide. Toll Free Number: 1-800-426-6867.