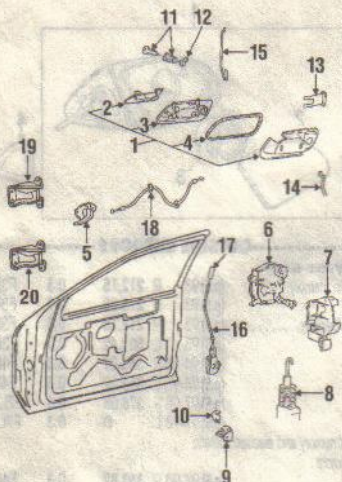


DOOR (CONT)

GLASS & HARDWARE

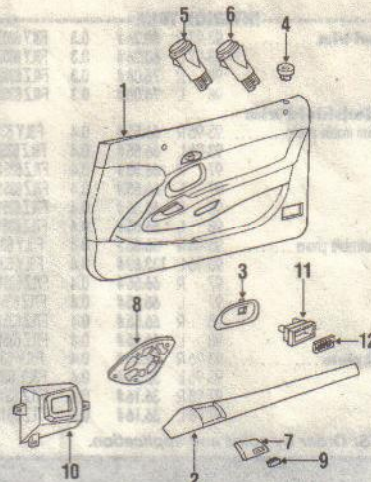
1 Glass						
401	Ford	93-98 R	482.95	0.6	F3LY 6321410 A	
402		93-98 L	482.95	0.6	F3LY 6321411 A	
403	NAGS	93-98 R	428.90	0.6	DD08227GTY	
404		93-98 L	428.90	0.6	DD08227GTY	
2035	2 stabilizer					
405		93-98 B	7.05		FODZ 5422380 A	
406	3 Run channel					
407		93-98 R	177.51	0.6	F3LY 6321596 B	
408		93-98 L	177.51	0.6	F3LY 6321597 B	
409	4 Retainer					
410		93-98 R	27.93		F3LY 6322A00 A	
1100		93-98 L	26.74		F3LY 6322A01 A	
1101	5 Regulator					
791		93-95 R	78.29	1.3	F3LY 6323208 A	
411		93-95 L	73.58	1.3	F3LY 6323209 A	
412		96-98 R	73.58	1.3	F6LZ 6323208 AB	
1395		96-98 L	78.29	1.3	F6LZ 6323209 AB	
1396	6 bracket equalizer arm					
		93-98	10.44		E9SZ 6323230 A	
	7 Motor					
		93-96 R	161.73	0.7	F4TZ 1523395 A	
		93-96 L	181.55	0.7	E9AZ 5423395 A	
		97-98 R	181.55	0.7	F7LZ 5423394 AA	
		97-98 L	181.55	0.7	F7LZ 5423395 AA	

LABOR: Time includes glass and motor.



807	16	lock knob, assy	93-98 R	4.17	0.2	F3LY 6321850 A
808			93-98 L	4.17	0.2	F3LY 6321851 A
809	17	knob	93-98	3.84	0.1	D9ZZ 6621850 B
810	18	Cable assy inside handle	93-98	21.13		F3LY 63221A00 B
490	19	Hinge upper	(p.3) 93-98 B	25.19	0.5	F3LY 6322800 A
431	20	lower	(p.3) 93-98 B	43.81	0.5	F3LY 6322810 A
811		Pad keyless entry	93-98	70.38	0.4	F3LY 14A426 A

PARTS: Part is serviced only with lock cylinder.
 # PARTS: Order by color.
 # LABOR: After door is removed.
 # PARTS: Assembly includes lock rod and knob.

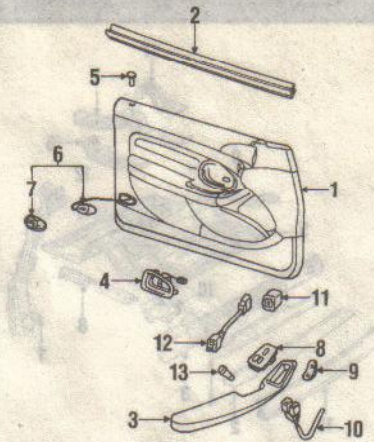


INTERIOR TRIM 1993-96

LOCK & HARDWARE						
418	1 Handle, outside					
419		93-97 L	24.26	0.4	F8LZ 6322404 AA	
1397		98 R	24.26	0.4	F8LZ 6322404 AA	
1398		98 L	24.26	0.4	F8LZ 6322405 AA	
420	2 Handle					
421		93-95 R	72.03	0.4	F3LY 6322404 A	
1399		93-95 L	8.07	0.4	F7LZ 6322405 AA	
1400		96-98 R	8.07	0.4	F7LZ 6322404 AA	
794		96-98 L	8.07	0.4	F7LZ 6322405 AA	
795	3 Housing					
796		93-98 R	16.25		F3LY 6322468 A	
797		93-98 L	16.25		F3LY 6322469 A	
798	4 Pad					
1629		93-97 R	3.03		F8LZ 6322428 AA	
1630		93-97 L	4.17		F3LY 6322429 A	
422		98 R	3.03		F8LZ 6322428 AA	
423		98 L	3.03		F8LZ 6322429 AA	
1401	5 Handle, inside					
1402		93-96 R	54.55	0.3	F3LY 6321818 BE	
424		93-96 L	54.55	0.3	F3LY 6321818 BE	
425		97-98 R	51.47	0.3	F7LZ 6321818 AA	
1102		97-98 L	51.47	0.3	F7LZ 6321819 AA	
1103	6 Lock					
799		93-94 R	60.92	0.4	F3LY 6321812 AB	
800		93-94 L	46.25	0.4	F3LY 6321813 A	
801		95-98 R	60.92	0.4	F5LZ 6321812 AB	
802		95-98 L	44.58	0.4	F5LZ 6321813 AB	
1631	7 Shield					
1632		93-98 R	18.87		F3UJZ 1521978 A	
803		93-98 L	4.07		F3UJZ 1521979 A	
804	8 Actuator					
805		93-94 B	102.27	0.3	F3WY 54218A42 A	
806		95-98 B	47.70	0.3	F3WY 54218A42 A	
807	9 Striker					
1403		93-96 B	7.55	0.3	F2UZ 1522008 A	
808		97-98 B	23.05	0.3	F7LZ 6322008 AA	
809	10 shim					
810		93-98	7.26		F2UZ 1544096 A	
811	11 Cyl & keys					
429		93-94	BD110.70	0.4	F3LY 6322050 A	
430		93-94 B	164.12	0.4	F3LY 6322050 B	
1007		95 B	86.07	0.4	F6LZ 6322050 AA	
2118		96 B	86.07	0.4	F6LZ 6322050 AA	
1633		97 B	225.74	0.4	F7LZ 6322050 AAD	
801		98 B	225.74	0.4	F7LZ 6322050 AA	
802	12 Lever					
1634		93-95 R	4.07		F3LY 6321970 A	
803		93-95 L	4.07		F3LY 6321971 A	
804		96-98 B	#		SEE FOOTNOTE	
805	13 Retainer lock cylinder					
806		93-98 B	5.38		F3LY 6322023 A	
807	Control rod					
808		93-98 R	4.15	0.2	F3LY 6322152 A	
809		93-98 L	4.15	0.2	F3LY 6322153 A	
810		93-98 R	4.69	0.2	F6LZ 6322134 AA	
1635		93-98 L	4.67	0.2	F6LZ 6322135 AA	

1984		93-96 L	65.92		F3LY 18808 B	
1986		93-96 B	65.92		F3LY 18808 F	
627	10 bracket					
628		93-98			NOT SERVICED	
629	11 Courtesy lamp					
630		93-96 R	37.87		F3LY 13776 A	
631		93-96 L	40.53		F3LY 13776 B	
632	12 Lens					
633		93-96 R	9.72		E9SZ 13734 A	
634		93-96 L	9.72		E9SZ 13734 B	
635	Bulb					
		93-96	.88		C7SZ 13466 B	

PARTS: Order by color and application.

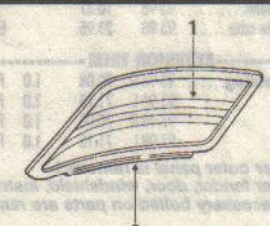


INTERIOR TRIM 1997-98

2048	1 Door trim panel					
2049		97 R	646.26	0.6	F7LZ 6323942 AAU	
2050		97 L	646.26	0.6	F7LZ 6323943 AAU	
2051		98 R	612.56	0.6	F6LZ 6323942 AAD	
2052		98 L	612.56	0.6	F6LZ 6323943 AAD	
2053	2 Belt w/strip					
2054		97-98 R	27.64		F3LY 6321456 A	
2055		97-98 L	27.64		F3LY 6321457 A	
2115	3 Armrest					
2116		97-98 B	30.56	1	SEE FOOTNOTE	
2117	4 Cup					
		97-98 L	30.56		F7LZ 6322634 AAD	
		97-98 L	30.56		F7LZ 6322635 AAD	
2070	5 Lock knob					
2110		97-98 B	2.34		E7ZZ 6121999 A	
2111	6 Courtesy lamp					
2112		97-98 B	19.10		F7LY 13776 AB	
2113	7 Lens					
2114		97-98 R	9.72		E9SZ 13734 A	
2115		97-98 L	9.72		E9SZ 13734 B	
2116	8 Bulb					
2117		97-98	.88		C7SZ 13466 B	
2118	9 Switch housing					
2119		97-98 R	21.88		F5LY 14528 AA	
2120		97-98 L	21.90		F5LY 14527 AA	
2121	10 Lock switch					
2075		97-98 B	22.20		F7LZ 14028 AA	
2076		97-98 R	23.32		F7LZ 14529 BA	
2077		97-98 L	40.08		F7LZ 14529 CA	
2078	11 Mirror switch					
2122		97	31.07		F7LZ 178676 CA	
2087		98	42.59		F8LZ 178676 DA	
2123	Switch					
2124		97-98	47.69		F7LZ 14776 AB	
2125		97-98	6.49		F3LY 9B242 A	
2088	12 Speaker grille					
2089		97-98 R	29.23		F3LY 18978 L	
2090		97-98 L	29.23		F3LY 18979 L	
2091		97-98 R	89.48		F3LY 18978 G	
2092		97-98 L	89.48		F3LY 18979 G	
2093	Nameplate					
2105		JBL Sound System	13.74		FOVY 18B978 A	
2106	Speaker					
2107		premium sound	31.20		F6LZ 18808 AA	
2108		JBL sound				
2109		upper	97-98 R	65.92	F3LY 18808 A	
2110		lower	97-98 L	65.92	F3LY 18808 B	
2111		upper	97-98 B	65.92	F3LY 18808 F	

PARTS: Part serviced only with door trim panel.
 # PARTS: Order by color and application.

BACK GLASS



PARTS AND R&R OPERATIONS

GLASS						
1 Back glass						
360		Ford	93	1869.39	2.6	F3LY 6342006 A
365			94-96	2431.62	2.6	F4LY 6342006 A

Please contact our Product Support Group if you require assistance locating, interpreting or using any information contained in this Estimating Guide. Toll Free Number: 1-800-426-6867.