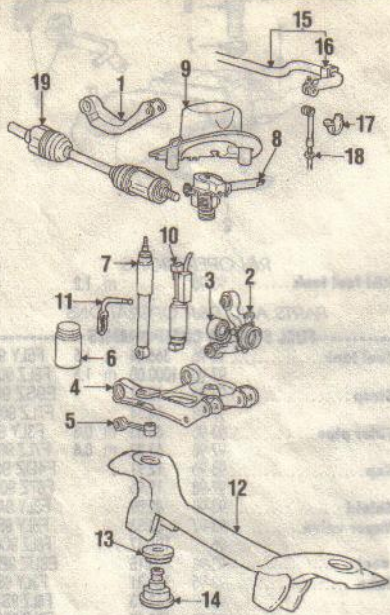


REAR SUSPENSION (CONT)

562	5	ABS sensor	93-96 B	30.49	m	0.7	F6SZ 2C190 CA
1435			97	34.19	m	0.7	F7LZ 2C190 AB
1657			98 R	34.19	m	0.7	F7LZ 2C190 AB
1658			98 L	39.43	m	0.7	F8LZ 2C190 BA
560		Brake hose	93-98 R	18.84	m	0.6	F3LY 2A442 A
561			93-98 L	19.87	m	0.6	F3LY 2A442 B

LABOR: After hub and disc are removed.



SUSPENSION COMPONENTS

564	1	Upper cntrl arm	93-98 B	75.58	m	0.7	F3LY 5500 A
565		bushing	93-96	34.85			F2SZ 5A638 A
1659			96-98	#			SEE FOOTNOTE
566	2	Knuckle	93-98 R	299.65	m	2.3	F3SZ 5A968 B
567			93-98 L	364.53	m	2.3	F3SZ 5A969 B
568	3	Bearing	93-98	45.96			E9DZ 1215 A
569	4	Lower cntrl arm	93-98 R	319.73	m	2.0	F3LY 5A649 A
570			93-98 L	318.83	m	2.0	F3LY 5A649 B
573	5	Link assy	93-96	44.63			E9SZ 5A972 A
1660			97-98	41.74			F7SZ 5A972 AA
576	6	Air spring	93-98 B	243.21	m	2.4	F3LY 5560 A
579	7	Shock absorber	93-94 B	79.87	m	0.5	F3LY 18125 A
1029			95-96 B	102.36	m	0.5	F5LY 18125 A
1437			97-98 B	24.95	m	0.5	F7LZ 18125 AA
580	8	Actuator assy	93-98 B	141.38	m	2.5	F4SZ 18B012 A
581	9	Cover	93-98 R	6.84			F3LY 18A179 A
582			93-98 L	6.84			F3LY 18A179 B
583	10	Weight sensor	93-98 B	86.67	m	0.5	F7LY 5359 BA
584	11	Bracket	93-98	8.38			F3LY 5A898 A
42	12	Susp crossmember	93-96	890.16	s	5.0	F8SZ 5R003 A
1662			97-98	890.16	s	5.0	F8SZ 5R003 AA
		insulator					
43	13	upper	93-98	10.47			F3LY 4B424 A
44	14	lower	93-98	9.87			F3SZ 4B431 B

STABILIZER BAR & COMPONENTS

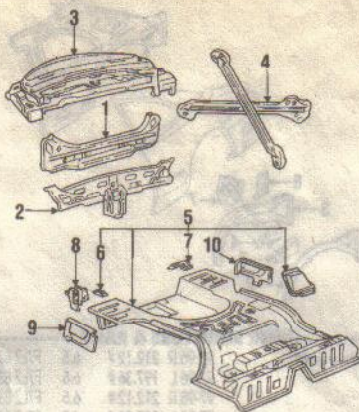
574	15	Stabilizer bar	93-98	143.96	m	0.8	F3LY 5A772 A
1111			95-98	110.33	m	0.8	F6LY 5A772 A
		bushing					
575		22.5mm	93-98 B	15.63			F3LY 5493 B
1112		21.5mm	95-98 B	10.12			F3LY 5493 C
576	17	Bracket	93-98 B	7.24			E9SZ 5486 B
577	18	link	93-98 B	10.42			F1VY 5664 A

AXLE HOUSING

2147	19	Shaft & joint	93-94 B	340.95			F2SZ 4B436 C
2148		w/o LSC	95-98 B	340.95			F2SZ 4B436 C
2149		w/LSC	95-98 B	377.23			F5LY 4B436 A
563		Axle shaft assy	93-98 B	285.32	m	1.5	F1LY 4234 A
825		Inner joint assy	93-98 B	313.99			F4SZ 4K326 D
		Boot kit					
826		outer	93-98 B	57.00			F2SZ 4A331 D
827		inner	93-98 B	37.12			F2SZ 4L537 C

PARTS: Part is serviced only with upper control arm.

REAR BODY & FLOOR



REFINISHING NOTES

1496	Refn rear body panel inside only	93-98	p.7
------	----------------------------------	-------	-----

OVERLAP OPERATIONS

518	R&R rear body panel with 1 qtr panel off	93-98	2.5
519	deduct with 2 qtr panels off	93-98	3.5

PARTS AND R&R OPERATIONS

REAR BODY

520	1	Rear body panel	(p1.5) 93-96	45.37	5.5	F3LY 6340320 A
1438			(p1.5) 97-98	52.50	5.5	F7LZ 6340320 AA
521	2	Reinforcement	93-96	53.31	2.5	F3LY 6340338 A
1439			97-98	66.70	2.5	F7LZ 6340338 AA
522	3	Package tray	93-98	226.17		F7LZ 6346506 AA
526	4	brace	93-98 R	31.16		F3LY 6346674 A
527			93-98 L	31.16		F3LY 6346674 B
528		bracket	93-98 R	5.03		F3LY 6346612 A
529			93-98 L	5.03		F3LY 6346612 B
532		screen	93-98 R	30.54		F3LY 6346774 A
534			93-98 L	30.54		F3LY 6346775 A

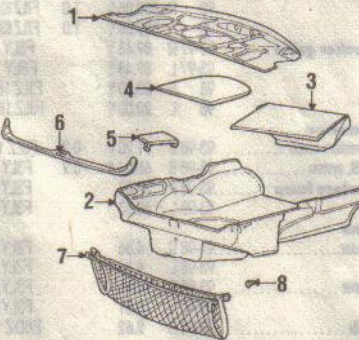
FLOOR & RAILS

529	5	Floor pan	(p2.0) 93	1332.77	23.5	F7LZ 6311215 AG
874			(p2.0) 94-95	1332.77	23.5	F7LZ 6311215 AG
1663			(p2.0) 96	1332.77	23.5	F7LZ 6311215 AG
2150			(p2.0) 97-98	1332.77	23.5	F7LZ 6311215 AG
530	6	Anchor plate	93-98	#		SEE FOOTNOTE
531	7	Spare bracket	93-98	5.01		F3LY 6347076 A
532	8	Tie down	93-98 R	45.99		F1SZ 63101C24 A
1141			93-98 L	37.94		F1SZ 63101C25 A
533	9	Extension panel	93-98 R	20.86	2.5	F3LY 6311250 A
534	10		93-98 L	25.02	2.5	F3LY 6311251 A

LABOR: After suspension, fuel tank and necessary bolted on parts are removed. Time includes rear body panel R&R.

† PARTS: Part is serviced only as part of floor pan. LABOR: After panel below lid is removed.

‡ LABOR: Time is after bumper assembly is removed.



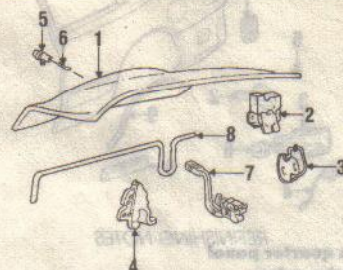
INTERIOR TRIM

843	1	Package tray	93-96	151.28	1.0	F3LY 6346668 AHA
1447			97	143.40	1.0	F7LZ 6346668 AAD
1665			98	143.40	1.0	F7LZ 6346668 AAF
645	2	Floor cover	93-95	224.89	0.5	F3LY 6345455 AAC
2153		w/o CD player	96	213.16	0.5	F6LZ 6345455 AAA
1441			97-98	213.16	0.5	F7LZ 6345455 AAA
646		w/CD player	93-95	224.89	0.5	F3LY 6345455 BAC
2154			96	213.16	0.5	F6LZ 6345455 AAB
1442			97-98	213.16	0.5	F7LZ 6345455 AAB
647	3	Front cover	93-98	208.63	0.2	F3LY 6345443 AAC

648	4	Spare cover	93-95	128.28	0.1	F3LY 6345026 AAC
1664			96-98	121.61	0.1	F6LZ 6345026 AAA
649	5	Cover	93-95	46.67	0.1	F3LY 63454A81 AAC
2155		CD player	96	40.00	0.1	F6LZ 63454A81 AAA
1445			97-98	57.13	0.1	F7LZ 63454A81 AAA
831	6	Sill plate	93-96	56.51	0.3	F3LY 6311318 B
1666			97-98	16.86	0.3	F7LZ 6311318 AAA
2157	7	Cargo net anchor	93-96	33.33		F3LY 6355066 A
2152			93-98 B	1.48		F3SZ 6342002 A

PARTS: Order by color.

TRUNK LID



REFINISHING NOTES

1124	Refn trunk lid underside	93-98	p1.3
------	--------------------------	-------	------

R&I OPERATIONS

499	R&I trunk lid	93-98	0.5
-----	---------------	-------	-----

PARTS AND R&R OPERATIONS

LID & COMPONENTS

500	1	Trunk lid	(p2.5) 93-96	561.20	1.8	F3LY 6340110 B
1448			(p2.5) 97-98	409.18	1.8	F7LZ 6340110 AA
503	2	Latch	93-96	39.73	0.6	F6LZ 6343200 AA
1450			97-98	41.81	0.6	F7LZ 6343200 AA
504	3	Striker	93-96	10.14	0.2	F7LZ 63404A42 A
1668			97-98	7.71	0.2	F7LZ 63404A42 AA
505	4	Bracket	93-96	27.65	0.5	F3LY 6343235 A
1451			97-98	49.22	0.5	F7LZ 6343235 AA
		5 Cyl & keys				
1815		w/o anti-theft	93-97	67.79	0.5	F3LY 6343507 A
506		w/anti-theft	93-94	67.79	0.5	F3LY 6343507 B
1034			95-98	64.49	0.5	F5LY 6343507 B
		Sleeve				
507		w/cover	93-98	32.70		F4LZ 6343600 AAA
816	6	Extension rod	93-98	8.15	0.2	EOVY 5443283 A
508	7	Hinge	(p.3) 93-98 R	63.26	0.8	F3LY 6342700 A
509			(p.3) 93-98 L	63.26	0.8	F3LY 6342701 A
510	8	Torsion bar	93-96 R	22.97	0.3	F3LY 6344890 A
511			93-96 L	22.97	0.3	F3LY 6344891 A
1452			97-98 R	8.27	0.3	F7LZ 6344890 AA
1453			97-98 L	8.27	0.3	F7LZ 6344891 AA
512		Weatherstrip	93-96	33.79	0.5	F3LY 6343720 A
1454			97-98	37.64	0.5	F7LZ 6343720 AA
650		Trim panel	93-95	105.67	0.3	F3LY 6345594 AAC
2156			96	100.15	0.3	F6LZ 6345594 AAA
1446			97-98	100.15	0.3	F7LZ 6345594 AAA
817		Compartment lamp	93-98	11.24	0.2	F3LY 13A756 A
818		Bulb	93-98	1.45		D7TZ 13466 A

EXTERIOR TRIM

		Nameplate				
501		LINCOLN	93-96	9.99	0.2	F3LY 6342528 A
1669		MARK VIII	93-95	9.99	0.2	F3LY 6342528 B
		MARK VIII - 32V INTECH V8				
502			96	8.05	0.2	F6LZ 6342528 AA
2157		LSC	95-96	9.99	0.2	F5LZ 6342528 AA

LABOR: After lid is removed.