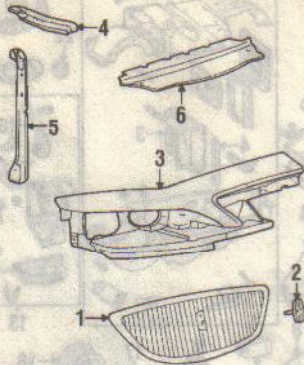


**DR2 KB93**

164	Molding	93-97	142.71	0.3	F3LY 8419 B
11885	Mount panel	93-96	172.66	2.5	F3LY 8A284 A
11896	bracket	93-96 R	12.78		F3LY 8T234 A
1190		93-96 L	11.36		F3LY 8T234 B

# LABOR: After grille is removed.

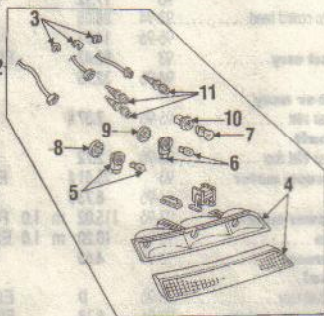
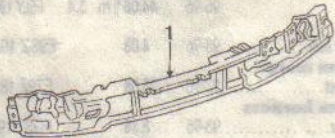


**GRILLE & COMPONENTS  
1997-98**

1	Grille				
1178	chrome	97-98	173.89	1.5	F7LZ 8200 AH
1675	painted	97-98	173.89	1.5	F7LZ 8200 AM
1179	2 Emblem	97-98	12.86	0.2	F7LZ 8213 AA
1677	3 Front panel	97	222.66	2.5	F8LZ 8190 AA
1678		98	222.66	2.5	F8LZ 8190 AA
	bracket				
16824	upper	97-98	6.40		F7LZ 8C371 AC
16795	side	97-98 R	18.25		F7LZ 8T234 AE
1680		97-98 L	18.75		F7LZ 8T234 BE
11776	6 Lower shield	97-98	D29.80		F7LZ 8C032 AB

# LABOR: After grille is removed.  
† PARTS: Order by color.

**FRONT LAMPS**



ADD IF REQUIRED

1188	Aim headlamps	93-98	0.5
------	---------------	-------	-----

R&I OPERATIONS

1187	R&I headlamp Assy	93-98 B	0.7
------	-------------------	---------	-----

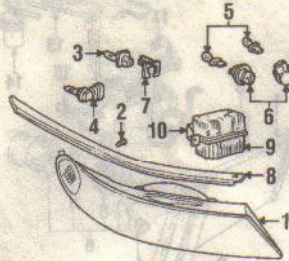
PARTS AND R&R OPERATIONS

**HEADLAMP COMPONENTS  
1993-96**

1678	1 Mount panel	93-96	#	SEE FOOTNOTE
	2 Headlamp Assy			
1193	to 10/1/95	93-95 R	207.95	0.7 F3LY 13008 A
1194		93-95 L	207.95	0.7 F3LY 13008 B
1195	from 10/1/95	96 R	597.94	0.7 F6LZ 13008 AD
1196		96 L	597.94	0.7 F6LZ 13008 AE
12013	3 retainer clip	93-96	3.80	E9DZ 13N129 A
12024	4 Lens & housing	93-96	†	SEE FOOTNOTE
	Bulb			
12035	low beam	93-96 B	11.63	0.3 E9SZ 13N021 A
12036	high beam	93-96 B	11.63	0.3 E9SZ 13N021 B
12037	park/tum signal	93-96 B	3.61	0.3 F5DZ 13466 A
	retainer			
12068	low beam	93-96	3.10	E4LY 13N019 A
12079	high beam	93-96	3.10	E4LY 13N019 A
	10 Socket			
1208	park/tum signal	93-96	5.00	F3LY 13411 A

11	Adjust screw				
1209	horizontal	93-95 R	6.58		F3LY 13032 C
1210		93-95 L	6.58		F3LY 13032 D
1211		96 R	20.53		F5LY 13032 B
1212		96 L	20.53		F5LY 13032 C
1213	vertical	93-95	5.22		F3LY 13032 B
1214		96	21.18		F5LY 13032 A
1215	pivot	93-96	4.83		F3LY 13032 A

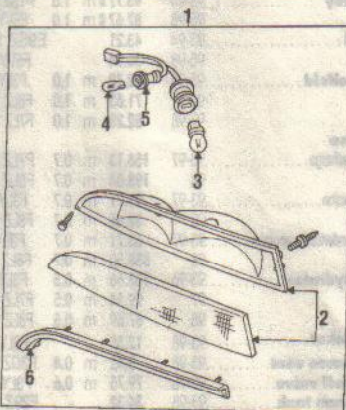
# PARTS: Part listed in the GRILLE group.  
† PARTS: Included with headlamp assembly.



**HEADLAMP COMPONENTS  
1997-98**

1685	1 Front panel	97-98	#	SEE FOOTNOTE
	1 Headlamp Assy			
1182	high intensity	97-98 R	238.30	0.7 F7LZ 13008 CA
1183		97-98 L	268.06	0.7 F7LZ 13008 DA
1184	halogen lamps	97-98 RD317.50	0.7	F7LZ 13008 BA
1185		97-98 LD302.67	0.7	F7LZ 13008 BB
	2 retainer			
1690	0.9 x 0.3 in size	97-98	2.91	F6DZ 13N020 CA
1691	1.5 x 1 in size	97-98	3.05	F7LY 13N020 AB
	3 Lens & housing	97-98	†	SEE FOOTNOTE
	Bulb & retainer			
29	3 low beam	97-98 B	11.63	0.3 E9SZ 13N021 A
30	4 high beam	97-98 B	11.63	0.3 E9SZ 13N021 B
32	retainer	97-98	†	F7LZ 13N019 A
	5 Bulb			
31	park/tum signal	97-98 B	3.61	0.3 F5DZ 13466 A
	6 Socket			
34	park/tum signal	97-98	5.00	F3LY 13411 A
	7 Indicator			
1695	vertical arm	97-98 B	†	F7LZ 13C150 AA
	Adjust screw			
35	horizontal	97-98 R	20.53	F5LY 13032 B
36		97-98 L	20.53	F5LY 13032 C
38	vertical	97-98 B	21.18	F5LY 13032 A
1696	pivot	97-98 B	4.83	F3LY 13032 A
	8 Molding			
1686	chrome	97-98 R	44.78	F7LY 13A112 AA
1687		97-98 L	44.78	F7LY 13A113 AA
1688	painted	97-98 R	64.83	F7LY 13A112 AAD
1689		97-98 L	64.83	F7LY 13A113 AAD
	9 Module			
	headlamp ballast			
1692	w/LSC	97-98 R	170.00	F7LZ 13C170 BAA
1693		97-98 L	170.00	F7LZ 13C170 BBA
1694	10 bracket	97-98 B	10.75	F7LZ 13C173 AA

# PARTS: Part listed in the GRILLE group.  
† PARTS: Included with headlamp assembly.  
‡ PARTS: Order by color.



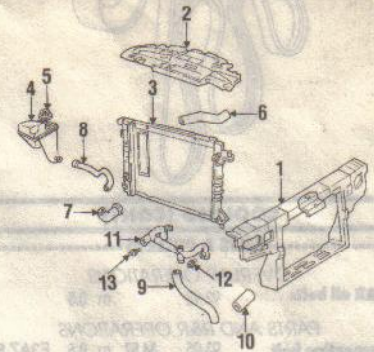
**SIDE MARKER & SIGNAL LAMPS  
1993-96**

117	1 Side marker lamp	93-96 R	122.96	0.6	F3LY 15A201 C
118		93-96 L	122.96	0.6	F3LY 15A201 D
119	2 Lens & housing	93-96	@		SEE FOOTNOTE
	Bulb				
1203	park/tum signal	93-96 B	3.61	0.2	F5DZ 13466 A
1214	side marker	93-96 B	.59		C2AZ 13466 C

122	5 Socket	93-96 B	15.14		F3LY 15A434 A
123	6 Molding	93-96 B	@		SEE FOOTNOTE

@ PARTS: Serviced only with side lamp assembly.

**COOLING**



1489	R&R radiator support aim headlamps	93-98	0.5
1490	evacuate & recharge	93-98	m 1.4
1491	refrigerant recovery	93-98	m 0.4

PARTS AND R&R OPERATIONS

50	1 Support	(p1.0) 93-96	236.12	8.9	F3LY 16138 A
1218		(p1.0) 97-98	159.87	8.9	F7LZ 16138 AA
1698	2 Sight shield	93-96	53.94		F3LY 8C291 A
1697		97-98	39.77		F7LZ 8C291 AG
1698	Access cover	97-98	40.06		F7LZ 8C370 AE

RADIATOR SUPPORT

1147	upper	93-98	m 0.2
1148	lower	93-98	m 0.3

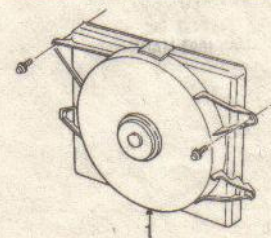
OVERLAP OPERATIONS

45	3 Radiator	93-98	389.49	m 1.3	F4SZ 8005 H
46	insulator	93-98	7.74		E5TZ 8124 C
49	4 Recovery tank	93-98	44.70	m 1.2	F3LY 8A080 A
48	5 Cap	93-98	8.74		F6DZ 8100 A

PARTS AND R&R OPERATIONS

32	6 Hose				
	upper	93-96	13.45	m 0.5	F3LY 8260 A
1221		97-98	12.92	m 0.5	F7LZ 8260 AA
53	7 lower	93-98	18.95	m 0.7	F3LY 8286 C
658	8 reservoir	93-98	9.39		F3LY 8C350 A
657	9 by-pass	93-98	14.88		F3LY 8A593 A
658	10 thermostat connect	93-98	8.88		F3LY 8K576 A
	Tube				
659	11 by-pass	93-96	94.94		F3LY 8555 A
1222		97-98	92.58		F7LZ 8555 AA
660	12 Temp gauge	93-95	7.62	m 0.4	F1SZ 10884 A
1046		96-98	8.06	m 0.4	F68Z 10884 AA
661	13 Temp sensor	93-98	13.64	m 0.4	F3VY 12A647 A

LABOR: Time includes R&I/R&R radiator, recovery/washer tank, AC condenser, temp sensor, air bag sensor, ABS module/actuator & relay, air suspension compressor & brackets, air cleaner Assy, resonator Assy & tube, vapor canister, latch Assy & R&I front headlamp & grille mounting panel, and fan assembly. Also D&R front wiring & hood release cable.



54	1 Fan Assy	93-96	283.61	† m 0.8	F3LY 8C607 A
1223		97	226.36	† m 0.8	F7LZ 8C607 AB
1504		98	171.89	† m 0.8	F8LZ 8C607 AA
56	Motor	93	283.61	† m 1.0	F3LY 8C607 A
1505		94-98	† m 1.0		SEE FOOTNOTE

† PARTS: Included with fan assembly. LABOR: Time is for assembly overhaul.  
‡ PARTS: Serviced only as part of fan assembly.

CONTINUED

Please contact our Product Support Group if you require assistance locating, interpreting or using any information contained in this Estimating Guide. Toll Free Number: 1-800-426-6867.