

COOLING (CONT)

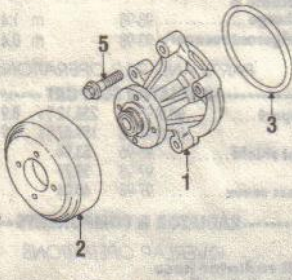
BELTS & PULLEYS

OVERLAP OPERATIONS

1146 R&R all belts..... 93-98 m 0.5

PARTS AND R&R OPERATIONS

58	1 Serpentine belt	93-95	34.57	m 0.5	F3AZ 8620 A
1224	to 11/97	96-97	39.51	m 0.5	F8AZ 8620 AA
1506	from 11/97	97-98	39.51	m 0.5	F8AZ 8620 AA
662	2 Idler pulley	93-98	17.54	m 0.4	F6AZ 8678 BA



WATER PUMP

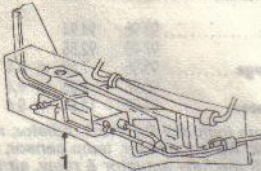
OVERLAP OPERATIONS

R&R wtr pump or pulley with belt off

1498 deduct..... 93-98 m 0.2

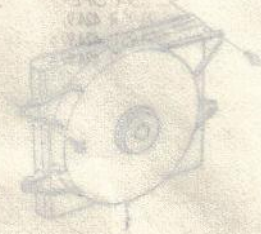
PARTS AND R&R OPERATIONS

59	1 Water pump	93-98	69.06	m 1.5	F6LZ 8501 AA
60	2 Pulley	93-98	12.57	m 0.8	F3LY 8509 A
1125	3 Gasket	93-98	1.79		F1VY 8507 A
Mount bolt					
11264	pulley	93-98	.93		N806282S2
11275	water pump	93-98	1.35		N806177S2

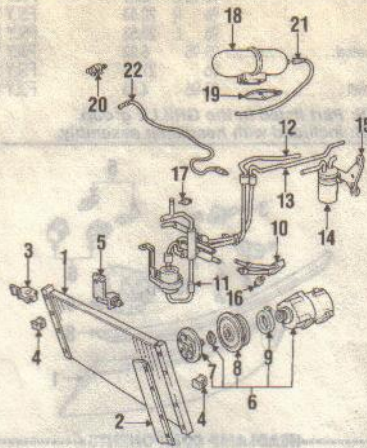


POWER STEERING OIL COOLER

743	1 Oil cooler	93-96	64.08	m 0.6	F3LY 3D746 A
1225		97-98	49.80	m 0.6	F7LZ 3D746 AA



AIR CONDITIONER & HEATER



SPECIAL CAUTION

This vehicle uses R134 refrigerant in the AC system. Extra care must be observed when servicing this type of system. R12 refrigerant **MUST NOT** be used. See manufacturers service manual for specific repair procedures.

REFRIGERANT CAPACITIES

R134	93	2.125 LBS
	94	2.5 LBS
	95	2.13 LBS
	96-98	2.125 LBS

ADD IF REQUIRED

With any operation requiring a refrigerant line disconnect, add AC service, i.e. evacuate, recharge and test for leaks. Add for refrigerant cost.

AC Service

61	evacuate & recharge	93-98	m 1.4
62	refrigerant recovery	93-98	m 0.4

OVERLAP OPERATIONS

R&R compressor with belt off

1499 deduct..... 93-98 m 0.2

PARTS AND R&R OPERATIONS

CONDENSER, COMPRESSOR & LINES

63	1 Condenser	93-98	186.24	m 1.4	F7SZ 19712 BA
663	2 seal	93-96	14.27		F3LY 19E572 A
1226		97-98	7.88		F6SZ 19E572 BB
64	3 mount bracket	93-98 R	5.95		F3LY 19B594 A
65		93-98 L	5.95		F3LY 19B594 B
4 insulator					
66	upper & lower	93-98	4.07		F3LY 19C566 A
664	5 Sensor	93-98	13.64	m 0.5	F3VY 12A647 A
67	6 Compressor	93-96	315.60	m 1.5	F7LZ 19703 AA
1227		97-98	315.60	m 1.5	F7LZ 19703 AA
68	7 Clutch	93	51.48	# m 1.0	F1OY 19D786 A
910		94	54.67	# m 1.0	F2CZ 19D786 A
911		95-98	26.96	# m 1.0	F5VY 19D786 A
69	8 Pulley	93-94	93.77	# m 1.0	F1SZ 19D784 A
912		95-98	87.67	# m 1.0	F5VY 19D784 A
70	9 Coil	93-94	43.21		E9SZ 19D798 A
913		95-98	35.94		F5VY 19D798 A
665	10 Manifold	93-95	182.72	m 1.0	F3LY 19D734 A
1047		96	71.63	m 1.0	F6LZ 19D734 AB
1511		97-98	52.25	m 1.0	F7LZ 19D734 AC

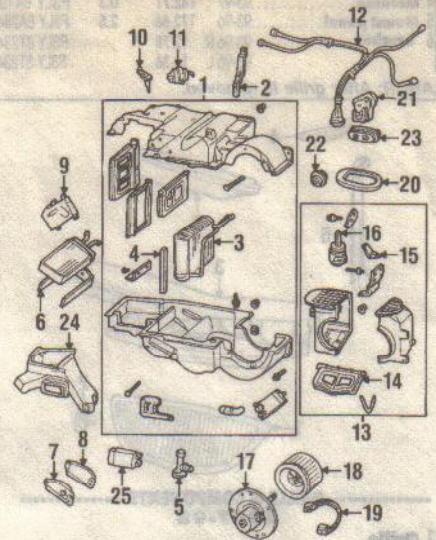
Hose

1700	11 discharge	93-97	156.13	m 0.7	F7LZ 19972 AA
1512		98	198.84	m 0.7	F8LZ 19972 AA
72	12 suction	93-97	91.71	m 0.7	F3LY 19D742 A
1513		98	32.46	m 0.7	F8LZ 19D742 AA
73	13 condenser/evaporator	93-97	63.71	m 0.7	F3LY 19B35 A
1514		98	558.50	m 0.7	F8LZ 19B35 AA
74	14 Dehydrator	93-96	133.66	m 0.5	F3LY 19C836 A
1228		97	99.14	m 0.5	F7LZ 19C836 AA
1515		98	87.69	m 0.5	F8LZ 19C836 AA
75	15 bracket	93-98	12.35		F3LY 19D606 A
666	16 Pressure vent	93-98	5.42	m 0.4	F3DZ 19D644 A
667	17 Cut-off valve	93-98	79.75	m 0.6	F3LY 19D594 A
668	18 Vacuum tank	93-98	34.32		F29Z 19A566 A
669	19 bracket	93-98	4.93		F3LY 19A562 A
670	20 Check valve	93-98	9.74		E6DZ 19A563 A

Vacuum hose

671	21 to tank	93-98	9.90		F3LY 19C828 A
672	22 to check valve	93-98	5.72		F3LY 19C828 B

LABOR: Time is to R&R clutch and pulley complete.



EVAPORATOR & HEATER COMPONENTS 1993-96

1736	1 Housing assy	93	299.53	m 5.3	F3SZ 19850 B
76		94-96	227.09	m 5.3	F4SZ 19850 A
1741	2 support bracket	93-96	31.38		F3LY 19A804 B
77	3 Evaporator core	93-96	241.88		E9SZ 19860 B
1739	4 seal	93-96	11.73	†	E8LY 19A672 A
679	5 Air ctrl valve	93-96	5.83		F4SZ 19E628 A
80	6 Heater core	93-96	72.05	m 5.3	F3LY 18476 A
675	7 Cover	93-96	4.03		F4SZ 18B300 AA
676	8 seal	93-96	4.10		E9SZ 18N267 A
9 Motor assy					
678	AC door	93	54.28	† m 3.4	F3LY 19E616 A
916		94	52.82	† m 3.4	F4LY 19E616 A
917		95-96	44.08	† m 3.4	F5LY 19E616 AA
10 Shaft					
1742	damper door	93-96	4.08		E9SZ 19A580 A
11 Vacuum motor					
1743	floor duct	93-96	25.08		E79Z 18A318 C
12 Vacuum harness					
677	to motor	93-95	8.38		F0SZ 19C827 A
1050		96	17.92		F6LZ 19C827 AA
915	to control head	93-94	28.05		F3LY 19C827 A
1051		95-96	14.97		F5LZ 19C827 AC
680	13 Duct assy	93	53.47		E9SZ 19C590 A
1737		94-96	32.75		F3LY 19C590 A
14 Door assy					
1744	air inlet	93-96	7.37	#	F3LY 19A813 A
15 Shaft					
1745	air inlet door	93-96	2.72		F3LY 19A819 B
681	16 Vacuum motor	93	25.81	#	E9SZ 18A318 A
1738		94-96	8.73	#	F5TZ 18A318 AA
78	17 Blower motor	93-96	115.02	m 1.0	F4SZ 19805 HA
79	18 Fan	93-96	10.20	m 1.0	E83Z 19834 A
1746	19 Harness	93-96	4.63		F3LY 19C629 A
Seal					
682	20 duct assy	93-96	D		E9SZ 19892 A
673	21 evaporator to dash	93-96	8.18		E9SZ 19C593 A
1747	22 drain tube	93-96	7.22		E9SZ 19B739 A
674	23 heater core to dash	93-96	8.76		F3LY 18529 A
1748	24 Air outlet duct	93-96	25.65		F4SZ 18C420 C
25 Control assy					
683	blower motor	93-94	100.43	m 2.0	F5LY 19E624 A
918		95-96	100.43	m 2.0	F5LY 19E624 A

PARTS: Included with duct assembly.

† LABOR: Includes positioning dash panel aside for access.

‡ PARTS: Included with housing assembly.