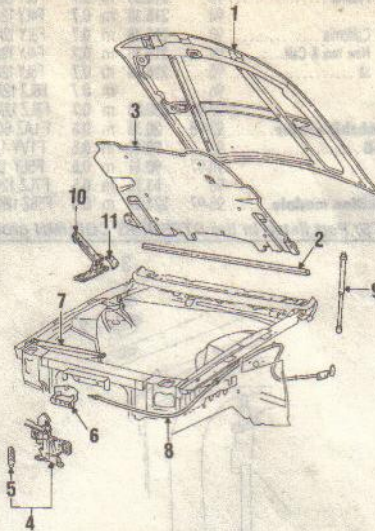


-----EVAPORATOR & HEATER COMPONENTS-----
1997-98

| Part No. | Description | Year | Price | Quantity | Part No. | Description | Year | Price | Quantity |
|--------------------------|------------------------|-------|--------|----------|----------|-------------|------|-------|----------|
| 1748 | 1 upper | 97-98 | 291.96 | | F7LZ | 19850 AA | | | |
| 1749 | 2 lower | 97-98 | 291.96 | | F7LZ | 19850 AA | | | |
| 1750 | 3 support bracket | 97-98 | 5.15 | | F7LZ | 19A804 AA | | | |
| 1765 | 4 lower bracket | 97-98 | 56.17 | | F7LZ | 18C336 AA | | | |
| 1702 | 5 Evaporator core | 97-98 | 291.96 | | F7LZ | 19850 AA | | | |
| Door Assy | | | | | | | | | |
| temp control | | | | | | | | | |
| 1751 | 6 upper | 97-98 | 291.96 | | F7LZ | 19850 AA | | | |
| 1752 | 7 lower | 97-98 | 291.96 | | F7LZ | 19850 AA | | | |
| 8 | ventilation | | | | | | | | |
| 1756 | manual AC | 97-98 | 212.60 | | F4SZ | 19850 B | | | |
| 1760 | auto AC | 97-98 | 227.09 | | F4SZ | 19850 A | | | |
| 1753 | 9 Frame | 97-98 | 291.96 | | F7LZ | 19850 AA | | | |
| 1706 | 10 Heater core | 97-98 | 59.51 | m 5.3 | F7LZ | 18476 AA | | | |
| 1754 | 11 seal | 97-98 | 2.59 | | F7LZ | 18658 AA | | | |
| 1711 | 12 Cover | 97-98 | 10.28 | | F7LZ | 188300 AB | | | |
| 1718 | 13 seal | 97-98 | 7.63 | | F7LZ | 18N267 AB | | | |
| 14 Motor Assy | | | | | | | | | |
| 1723 | AC door | 97-98 | 33.05 | m 3.4 | F7LZ | 19E616 AD | | | |
| 1755 | 15 Wire | 97-98 | 8.07 | | F7LZ | 19D887 AC | | | |
| Shaft | | | | | | | | | |
| 1757 | 16 damper door | 97-98 | 4.08 | | E9SZ | 19A580 A | | | |
| 1758 | 17 temp control | 97-98 | 4.33 | | F7LZ | 19D846 BD | | | |
| 1759 | 18 Link | 97-98 | 18.48 | | F7LZ | 19A600 AB | | | |
| 19 Vacuum harness | | | | | | | | | |
| 1716 | to motor | 97 | 13.47 | | F7LZ | 19C827 AD | | | |
| 1717 | | 98 | 15.93 | | F8LZ | 19C827 AC | | | |
| 1719 | to control head | 97-98 | 14.97 | | F5LZ | 19C827 AC | | | |
| 1787 | 20 Duct Assy | 97-98 | 108.07 | | F7LZ | 19C590 AA | | | |
| 1770 | 21 Vacuum motor | 97-98 | 9.52 | # | F7LZ | 18A318 AA | | | |
| 1731 | 22 blower motor | 97-98 | 121.82 | m 1.0 | F7LZ | 19805 CA | | | |
| 1732 | 23 Fan | 97-98 | 10.20 | m 1.0 | E83Z | 19834 A | | | |
| 24 Control Assy | | | | | | | | | |
| 1764 | blower motor | 97-98 | 77.07 | | F5OY | 19E624 A | | | |
| 1766 | 25 Wire harness | 97-98 | 4.63 | | F3LY | 18C629 A | | | |
| 1761 | 26 Muffler | 97-98 | D | | F7LZ | 19E733 AB | | | |
| 1762 | 27 Air cntrl valve | 97-98 | 5.83 | | F4SZ | 19E628 A | | | |
| 1763 | 28 Hose | 97-98 | 18.52 | | F7LZ | 19D888 BA | | | |
| Seal | | | | | | | | | |
| 1771 | 29 evaporator to dash | 97-98 | 12.23 | | F7LZ | 19C593 AC | | | |
| 1772 | 30 drain tube | 97-98 | 4.50 | | F7LZ | 198739 AB | | | |
| 1773 | 31 heater core to dash | 97-98 | 9.40 | | F7LZ | 18529 AA | | | |
| 1768 | 32 Air outlet duct | 97-98 | 25.65 | | F4SZ | 18C420 C | | | |

PARTS: Included with duct assembly.
† LABOR: Includes positioning dash panel aside for access.

HOOD



REFINISHING NOTES

| | | | |
|------|---------------------|-------|------|
| 1119 | Refn hood underside | 93-98 | p1.7 |
|------|---------------------|-------|------|

R&I OPERATIONS

| | | | |
|----|---------------|-------|-----|
| 85 | R&I hood Assy | 93-98 | 0.5 |
|----|---------------|-------|-----|

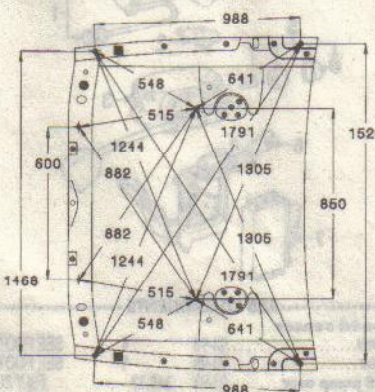
PARTS AND R&R OPERATIONS

-----HOOD & COMPONENTS-----

| Part No. | Description | Year | Price | Quantity | Part No. | Description | Year | Price | Quantity |
|---------------|--------------------|---------------|---------|----------|----------|-------------|------|-------|----------|
| 88 | 1 Hood | (p.3) 93-96 | 490.90 | 1.5 | F3LY | 16612 A | | | |
| 1241 | | (p.3) 97-98 | 534.65 | 1.5 | F7LZ | 16612 AA | | | |
| 88 | 2 Rear seal | 93-96 | 37.56 | 0.2 | F3LY | 16740 A | | | |
| 1242 | | 97-98 | 33.49 | 0.2 | F7LZ | 16740 AA | | | |
| 87 | 3 Insulator | 93-95 | 106.60 | 0.3 | F3LY | 16738 A | | | |
| 1774 | | 96 | 119.19 | 0.3 | F6LZ | 16738 AA | | | |
| 1243 | | 97-98 | 52.39 | 0.3 | F7LZ | 16738 AA | | | |
| 4 Lock | | | | | | | | | |
| 89 | to 12/93 | 93-94 | 31.55 | 0.5 | F3LY | 16700 A | | | |
| 919 | from 12/93 | 94-96 | 31.55 | 0.5 | F4LY | 16700 A | | | |
| 1244 | | 97-98 | 28.29 | 0.5 | F7LZ | 16700 AA | | | |
| 684 | 5 Spring | 93-98 | 18.85 | | F3LY | 16C644 A | | | |
| 90 | 6 Lock support | 93-98 | 116.82 | 0.3 | F3LY | 16707 A | | | |
| 91 | 7 Safety catch | 93-98 | 18.40 | 0.3 | F3LY | 16892 A | | | |
| 92 | 8 Release cable | 93-96 | 31.67 | 2.0 | F3LY | 16916 A | | | |
| 1245 | | 97-98 | 36.77 | 2.0 | F7LZ | 16916 AB | | | |
| 93 | 9 Support cylinder | 93-96 B | 23.59 | 0.3 | F3LY | 16C826 A | | | |
| 1246 | | 97-98 B | 23.60 | 0.3 | F7LZ | 16C826 AA | | | |
| 94 | 10 Hinge | (p.3) 93-96 R | 18.38 # | 0.3 | F3LY | 16796 A | | | |
| 95 | | (p.3) 93-96 L | 18.38 # | 0.3 | F3LY | 16797 A | | | |
| 1247 | | (p.3) 97-98 R | 23.13 # | 0.3 | F7LZ | 16796 AL | | | |
| 1248 | | (p.3) 97-98 L | 23.13 # | 0.3 | F7LZ | 16797 AL | | | |
| 96 | 11 Housing | 93-96 R | 12.35 | | F3LY | 16C764 D | | | |
| 97 | | 93-96 L | 12.35 | | F3LY | 16C764 E | | | |
| 1249 | | 97-98 B | 13.99 | | F7LZ | 16C764 AA | | | |
| 98 | Under hood lamp | 93-98 | 14.09 | 0.3 | F3LY | 15702 A | | | |
| 685 | Bulb | 93-98 | 1.45 | | D7TZ | 13466 A | | | |

LABOR: After hood and cowl cover are removed.

UNDERHOOD DIAGRAM



-----UNDERHOOD DIAGRAM-----
1993-98 MARK VIII

Refer to MOTOR "COLLISION REPAIR DATA" manual for complete vehicle dimensions. All dimensions provided are in millimeters.

FENDER



REFINISHING NOTES

| | | | |
|------|-------------------|-------|-----|
| 1120 | Refn fender edges | 93-98 | p.5 |
|------|-------------------|-------|-----|

OVERLAP OPERATIONS

| | | | |
|-----|---------------------------------|-------|-----|
| 102 | R&R fender Assy with bumper off | 93-98 | 0.5 |
|-----|---------------------------------|-------|-----|

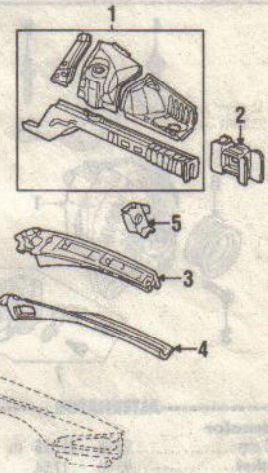
R&I OPERATIONS

| | | | |
|-----|-----------------|---------|-----|
| 101 | R&I fender Assy | 93-98 B | 2.5 |
|-----|-----------------|---------|-----|

PARTS AND R&R OPERATIONS

-----FENDER & COMPONENTS-----

| Part No. | Description | Year | Price | Quantity | Part No. | Description | Year | Price | Quantity |
|----------|-----------------|---------------|--------|----------|----------|-------------|------|-------|----------|
| 104 | 1 Fender | (p.2) 93-96 R | 454.27 | 3.0 | F3LY | 16005 A | | | |
| 105 | | (p.2) 93-96 L | 454.27 | 3.0 | F3LY | 16006 A | | | |
| 1250 | | (p.2) 97-98 R | 295.80 | 3.0 | F7LZ | 16005 AA | | | |
| 1251 | | (p.2) 97-98 L | 295.80 | 3.0 | F7LZ | 16006 AA | | | |
| 106 | 2 brace | 93-96 B | 11.44 | | F3LY | 16A023 A | | | |
| 1252 | | 97-98 R | 12.21 | | F7LZ | 16A023 AA | | | |
| 1253 | | 97-98 L | 4.85 | | F7LZ | 16A024 AA | | | |
| 115 | 3 Splash shield | 93-96 R | 49.74 | 0.8 | F3LY | 16102 A | | | |
| 116 | | 93-96 L | 52.23 | 0.8 | F3LY | 16103 A | | | |
| 1775 | | 97-98 R | 32.07 | 0.8 | F7LZ | 16102 AA | | | |
| 1776 | | 97-98 L | 32.07 | 0.8 | F7LZ | 16103 AA | | | |



-----STRUCTURAL COMPONENTS & RAILS-----

OVERLAP OPERATIONS

| | | | |
|------|-------------------------------------|-------|---------|
| 1121 | R&R apron Assy with rad support off | 93-98 | # s 7.2 |
|------|-------------------------------------|-------|---------|

PARTS AND R&R OPERATIONS

| Part No. | Description | Year | Price | Quantity | Part No. | Description | Year | Price | Quantity |
|----------------------|-----------------|---------------|------------|----------|----------|-------------|------|-------|----------|
| 107 | 1 Apron Assy | (p.1) 93-95 R | 424.97 # s | 8.0 | F6LY | 16054 AA | | | |
| 108 | | (p.1) 93-95 L | 424.97 # s | 8.0 | F3LY | 16055 A | | | |
| 1777 | | (p.1) 96 R | 424.97 # s | 8.0 | F6LY | 16054 AA | | | |
| 1778 | | (p.1) 96 L | 424.97 # s | 8.0 | F6LY | 16055 AA | | | |
| 1254 | | (p.1) 97-98 R | 276.92 # s | 8.0 | F7LZ | 16054 AA | | | |
| 1255 | | (p.1) 97-98 L | 316.38 # s | 8.0 | F7LZ | 16055 AA | | | |
| 1779 | 2 bumper | 93-96 B | 33.48 | | F3LY | 63101A22 AA | | | |
| 1780 | | 97-98 R | 22.13 | | F7LZ | 63101A22 AA | | | |
| 1781 | | 97-98 L | | | F7LZ | 63101A23 AA | | | |
| Reinforcement | | | | | | | | | |
| 109 | 3 upper | 93-96 R | 34.31 # s | 2.0 | F7LZ | 16154 AA | | | |
| 110 | | 93-96 L | 40.68 # s | 2.0 | F3LY | 16155 A | | | |
| 1256 | | 97-98 R | 34.31 # s | 2.0 | F7LZ | 16154 AA | | | |
| 1257 | | 97-98 L | 34.31 # s | 2.0 | F7LZ | 16155 AA | | | |
| 111 | 4 lower | 93-95 R | 34.83 | | F3LY | 16060 A | | | |
| 112 | | 93-95 L | 34.83 | | F3LY | 16060 B | | | |
| 1052 | | 96-98 R | 27.09 | | F6LY | 16060 AA | | | |
| 1053 | | 96-98 L | 34.83 | | F3LY | 16060 B | | | |
| 113 | 5 upper bracket | 93-98 R | 17.03 | | F3LY | 16D156 A | | | |
| 114 | | 93-98 L | 20.20 | | F3LY | 16D157 A | | | |

LABOR: After bumper, grille, fender, front lamps and necessary bolted on parts are removed.

Please contact our Product Support Group if you require assistance locating, interpreting or using any information contained in this Estimating Guide. Toll Free Number: 1-800-426-6867.