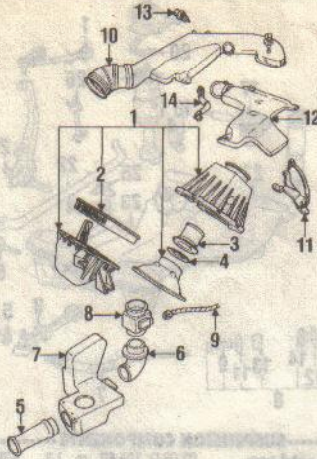


**ENGINE**



**R&I OPERATIONS**

Does not include transfer of parts or replacement of special equipment.

**R&I engine Assy**

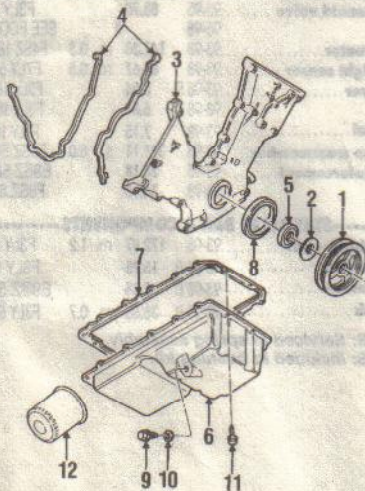
137	4.6 liter	93-98	m	11.3
-----	-----------	-------	---	------

**PARTS AND R&R OPERATIONS**

<b>AIR INLET</b>				
138	1 Air cleaner	93-95	266.93	m 1.0 F5LY 9600 A
933		96-98	316.93	m 1.0 F7LZ 9600 AB
139	2 Element	93-98	15.61	F3LY 9601 A
707	3 Tube	93-98	#	SEE FOOTNOTE
708	4 seal	93-98	7.29	F3LY 9E931 A
<b>Inlet duct</b>				
709	5 front	93-98	#	SEE FOOTNOTE
710	6 rear	93-98	#	SEE FOOTNOTE
140	7 Resonator	93-98	79.78	F3LY 9F763 A
142	8 Air mass sensor	93-95	231.85	m 0.5 F3VY 12B579 A
1067		96-98	141.45	m 0.5 F8LZ 12B579 AA
711	9 Harness	93-95	15.05	F5LY 12A690 A
1274		96-98	14.77	F8LY 12A690 B
141	10 Outlet duct	93-95	194.68	m 0.4 F3LY 9B659 A
1068		96	121.42	m 0.4 F6LY 9B659 B
1532		97-98	70.15	m 0.4 F7LZ 9B659 AF
712	11 bracket	93-98	19.73	F3LY 9B625 A
713	12 Resonator	93-98	49.60	F3LZ 9C675 AD
714	13 Temp sensor	93-96	35.28	F3Z 12A697 C
1275		97-98	20.87	F57Z 12A697 A
715	14 Crankcase tube	93-96	18.34	F3LY 6758 B
1276		97-98	6.56	F7LZ 6758 AA

# PARTS: Part is serviced only as part of resonator.

† PARTS: Order by production code.

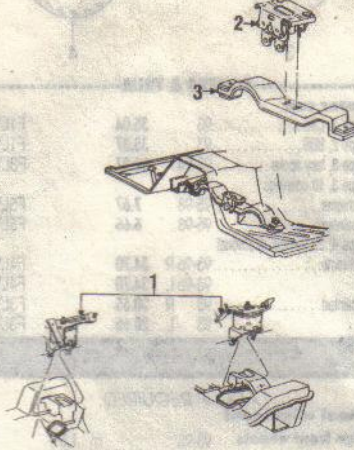


**ENGINE PARTS**

905	Fuel pump	93-98	#	SEE FOOTNOTE
143	1 Damper Assy	93-95	92.96	m 1.2 F3LY 6316 A
1790	2 Crank pulley	96-98	77.77	F6ZZ 6312 AB
716	3 Sprocket	93-98	14.63	F3AZ 6306 A
144	4 Timing cover	93-94	177.84	m 4.5 F3LY 6019 A
936		95-97	280.93	m 4.5 F7LZ 6019 AC
1277		98	178.00	m 4.5 F8LZ 6019 AA
<b>gasket</b>				
145	center	93-98	9.16	F3LY 6020 B
146	side	93-98 R	4.53	F3LY 6020 C
147		93-98 L	4.53	F3LY 6020 A

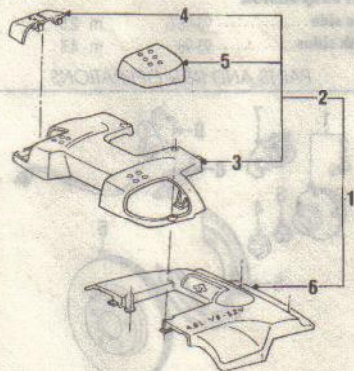
150	5 front seal	93-98	7.30	F5AZ 6700 A
938	6 Oil pan	93-98	220.34	m 3.8 F5LY 6675 A
149	7 gasket	93-98	27.42	F4AZ 6710 A
151	8 rear seal	93-98	12.29	F4AZ 6701 A
1139	9 drain plug	93-98	7.63	F75Z 6730 BA
1139	10 gasket	93-98	1.70	F3DZ 6734 A
1139	11 bolt	93-98	2.10	N605907S2
152	12 Oil filter	93-98	6.74	m 0.5 F1AZ 6731 BD
<b>Heating unit</b>				
1484	engine block	93-98	28.00	F3LZ 6D008 A

# PARTS: Part listed in the FUEL SYSTEM group.



**ENGINE & TRANS MOUNTING**

<b>Motor mount</b>				
153	1 front	93-98 R	96.16	m 2.5 F3LY 6038 A
154		93-98 L	96.02	m 2.5 F3LY 6038 B
155	2 rear	93-98	82.76	m 1.0 F3LY 6068 A
156	3 Support Assy	93-94	345.45	m 0.8 F3LY 6A023 A
1070		95-96	64.12	m 0.8 F7LZ 6A023 AA
1279		97-98	64.12	m 0.8 F7LZ 6A023 AA



**ENGINE APPEARANCE COVER 1997-98**

<b>Cover Assy</b>				
717	1 complete	93-96	127.25	0.4 F3LY 6A949 A
718	2 front section	93-96	86.14	# 0.2 F3LY 6A950 A
719	3 Front cover	93-96	82.59	† 0.2 F3LY 6A951 A
720	4 Access cover	93-96 R	36.86	† 0.1 F3LY 6A954 A
721	5	93-96 L	36.86	† 0.1 F3LY 6A953 A
722	6 Rear cover	93-96	84.31	† 0.2 F3LY 6A952 A

# PARTS: Included in cover assembly.

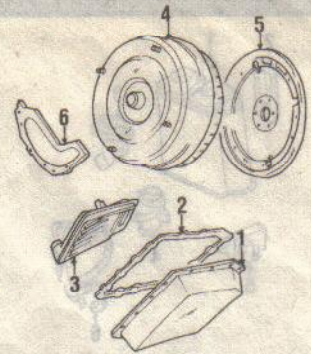
† PARTS: Included in front cover assembly.



**ENGINE APPEARANCE COVER 1997-98**

1791	1 Cover Assy	97-98	38.60	0.4 F7LZ 6A949 AB
------	--------------	-------	-------	-------------------

**TRANSMISSION**



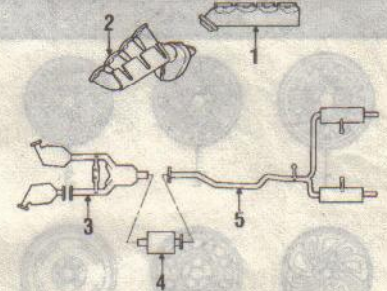
**R&I OPERATIONS**

157	4.6 liter	93-98	m	4.5
-----	-----------	-------	---	-----

**PARTS AND R&R OPERATIONS**

<b>TRANSMISSION COMPONENTS</b>				
1792	1 Trans pan	93-98	20.40	F6AZ 7A194 A
1793	2 Gasket	93-98	13.88	F2VY 7A191 A
1794	3 Filter	93-95	24.89	F2VY 7A098 A
1800		96-98	24.89	F6AZ 7A098 A
1795	4 Converter	93-96	199.11	F4LY 7902 ARM
1796		97	176.67	F8LZ 7902 BARM
1797		98	176.67	F8LZ 7902 BARM
1798	5 Flywheel	93-98	60.74	F3LY 6375 A
1799	6 Housing cover	93-98	5.60	F3LY 7986 A

**EXHAUST SYSTEM**



**OVERLAP OPERATIONS**

2197	rearward of manifolds	93-98	m	1.1
------	-----------------------	-------	---	-----

**PARTS AND R&R OPERATIONS**

<b>MANIFOLD</b>				
158	1 Exhaust manifold	93-94 R	303.21	m 2.0 F3LY 9430 A
1123	2	93-94 L	†	SEE FOOTNOTE
1071		95 R	290.05	m 2.0 F5LY 9430 A
1807		95 L	†	SEE FOOTNOTE
1282		96-98 R	241.71	m 2.0 F6LY 9430 A
1814		96-98 L	†	SEE FOOTNOTE

**EXHAUST COMPONENTS**

<b>SINGLE PIPE</b>				
160	3 Converter & pipe	93-95 R	982.45	m 1.0 F3LY 5F250 A
1809		93-95 L	894.45	† m 4.9 F3LY 5G232 A
1802		96 R	368.37	m 1.0 F6LY 5F250 A
1813		96 L	741.98	† m 4.9 F6LY 5G232 A
1284		97-98 R	368.37	m 1.0 F6LY 5F250 A
1815		97-98 L	526.42	† m 4.9 F7LZ 5G232 AA
161	4 Resonator	93-96	78.25	m 1.0 F1SZ 5A289 A
1285		97-98	42.51	m 1.0 F5LZ 5A289 AA
162	5 Muffler	93-94	642.05	m 0.8 F3LY 5230 B
1801		95-96	613.58	m 0.8 F5LY 5230 B
1286		97-98	341.66	m 0.8 F7LZ 5230 AD

**EXHAUST COMPONENTS**

<b>DUAL PIPES</b>				
1803	Converter & pipe	95 R	768.58	F5LY 5F250 A
1816		95 L	894.45	† F3LY 5G232 A
1806		96 R	874.94	F6LY 5F250 B
1817		96 L	741.98	† F6LY 5G232 A
1818		97-98 R	874.94	F6LY 5F250 B
1819		97-98 L	526.42	† F7LZ 5G232 AA
1804	Muffler & pipe	95-96	340.79	F5LY 5230 A
1806		97-98	350.55	F7LZ 5230 BD

† PARTS: The left side exhaust manifold is included with converter and pipe.

CONTINUED

Please contact our Product Support Group if you require assistance locating, interpreting or using any information contained in this Estimating Guide. Toll Free Number: 1-800-426-6867.