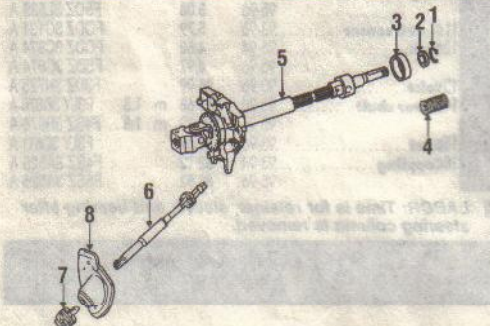


STEERING COLUMN 1997-98 (CONT)

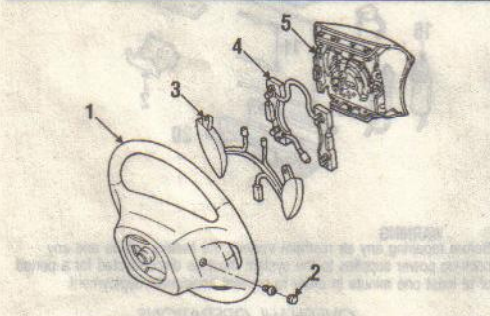
HOUSING & COMPONENTS			
1885	5 Lock housing	97-98	38.45 m 1.2 F7LZ 3511 A
1890	Cyl & keys	97	225.74 m 0.8 F7LZ 6322050 AAD
1888		98	225.74 m 0.8 F8LZ 6322050 AAA
1891	Ignition cyl	97-98	D99.06 m 0.8 F7LZ 12A145 AH
Housing			
1960	6 upper outer	97-98	49.00 F7LZ 3F790 AA
1959	7 lower outer	97-98	23.20 F7LZ 3F789 AA
1955	8 inner housing	97-98	67.70 F7LZ 3F791 AA
Track			
1956	9 outer	97-98	6.00 F7LZ 3B628 DB
1954	10 inner	97-98	5.90 F7LZ 3B628 CC
Retainer Assy			
1957	11 track bearing	97-98	7.47 F7LZ 3F795 BB
Actuator Assy			
1950	12 tilt	97-98	122.38 F7LZ 3F797 FD
1949	13 telescoping	97-98	112.86 F7LZ 3F797 DE
1948	14 pin	97-98	15.79 F7LZ 3D545 AA
1951	15 Link	97-98	7.13 F7LZ 3A517 CC
Motor Assy			
1962	16 tilt	97-98	116.73 F7LZ 3D538 AA
1961	17 telescoping	97-98	126.62 F7LZ 3D538 BA
Potentiometer			
1952	18 position sensor	97-98	25.72 F7LZ 14A605 AA
Sensor			
1947	19 steering absorber	97-98	34.99 F7SZ 18B015 AA
1958	20 Column support	97-98	85.18 F7LZ 3B718 DB

LABOR: After upper and lower shrouds are removed.
 † **PARTS:** Includes door, ignition, glove compartment, trunk lid and console door lock cylinders and keys. Order by color.
 ‡ **PARTS:** Part listed in the RESTRAINT SYSTEMS group.



SHAFT & INTERNAL COMPONENTS			
1911	1 Bearing retainer	97-98	16.12 F7LZ 3C610 FB
Bearing Assy			
1914	2 upper	97-98	4.82 F7LZ 3517 AA
1915	3 lower	97-98	7.74 F7LZ 3517 BA
1944	4 Spring	97-98	8.31 F7LZ 3D655 CB
1917	5 Upper shaft	97-98	149.33 F7LZ 3524 DD
1939	6 Lower shaft	97-98	119.57 m 1.3 F7LZ 3B676 AA
1942	7 Coupling	97-98	82.52 F5SZ 3A525 A
1940	8 Boot	97-98	49.89 F3LY 3C611 A

STEERING WHEEL



WARNING
 Before repairing any air restraint system, the battery cables and any back-up power supplies to the system must be disconnected for a period of at least one minute in order to prevent accidental deployment.

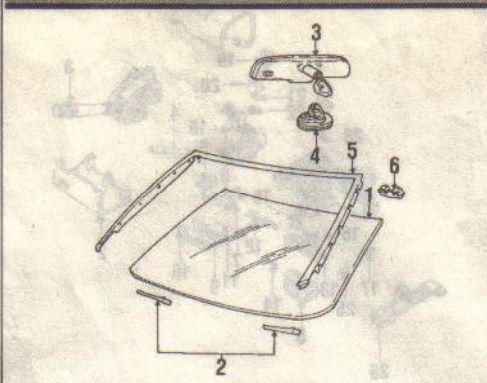
PARTS AND R&R OPERATIONS

STEERING WHEEL & TRIM			
255	1 Steering wheel	93	511.07 m 1.0 F4LY 3600 D
844		94	454.23 m 1.0 F4LY 3600 A
967		95	380.23 m 1.0 F5LY 3600 A
1077		96	328.65 m 1.0 F6LZ 3600 AAA
1312		97-98	320.48 m 1.0 F7LZ 3600 AAA
1965	2 cover	93-98	5.06 m F3LY 3L518 E
257	3 Cruise switch	93-94	33.68 F3LY 9C888 E
845		95	77.63 F5LY 9C888 E
1313		96-98	67.50 F5LZ 9C888 AAB

258	4 Horn switch	93-95	40.50 F3LY 13A875 A
1079		96-98	38.37 F8LZ 13A875 BA
903	5 Air bag module	93-98	# SEE FOOTNOTE

PARTS: Part listed in the RESTRAINT SYSTEMS group.
 † **PARTS:** Order by color.

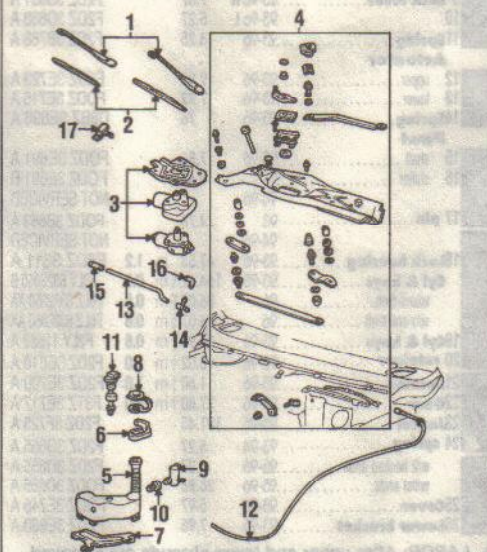
WINDSHIELD



PARTS AND R&R OPERATIONS

GLASS			
270	1 Windshield	93-96	594.60 2.5 F4SZ 6303100 B
1317	Ford	97-98	549.40 2.5 F7LZ 6303100 AB
271	NAGS	93-94	525.60 2.5 DW01153GBN
1314		95-96	531.50 2.5 DW01190GBN
1963		97-98	559.40 2.5 DW01291GBN
1970	2 spacer	93-98 B	4.77 E9SZ 63030A12 A
Mirror inside			
274	3 manual adjust	93-94	45.00 0.3 F2AZ 17700 A
1964		95-98	27.78 0.3 F5LY 17700 AA
275	4 auto adjust	93-94	283.70 0.3 F8LZ 17700 AA
968	before 3/96	95-96	193.33 0.3 F5VY 17700 B
1315	from 3/96	96	144.67 0.3 F6VZ 17700 AA
1316		97-98	178.22 0.3 F8VZ 17700 AA
Compass			
1973	5 to 3/20/95	93-95	296.27 F3LY 19A548 A
1974	from 3/20/95	95-96	144.76 F5LY 19A548 AB
1975		97-98	60.00 F7LZ 19A548 CA

REVEAL MOLDINGS			
272	5 Reveal molding	93-98	116.16 0.5 F3LY 6303144 AA
1966	6 clip	93-98	3.15 F3LY 6303178 A



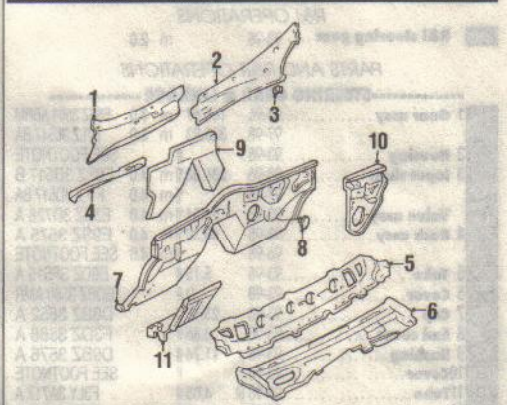
WIPER & WASHER COMPONENTS

280	1 Wiper arm	93-98 R	22.95 0.4 F3LY 17526 A
281		93-98 L	23.65 0.4 F3LY 17527 A
282	2 Blade	93-98 B	9.95 0.2XW7Z1752BAA
1967	3 Insert	93-98 B	9.95 XW7Z1752BAA
283	4 Wiper motor	93-98	89.68 m 1.5 F7LZ 17508 AA
284	5 Arm & pivot Assy	93	155.67 m 1.5 F3LY 17566 A
1096		94-96	152.83 m 1.5 F6LY 17566 BA
1578		97-98	161.15 m 1.5 F7LZ 17566 AB
Wiper			
787	6 governor	93	96.25 F3LY 17C476 A
970		94-96	71.60 F3LY 17C476 C
1577		97-98	63.15 F7LZ 17C476 AA
285	5 Reservoir	93-96	27.94 1.8 F3LY 17618 A

1318	tank only	97-98	28.81 1.8 F7LZ 17618 BA
1968	tank Assy	97-98	79.02 F7LZ 17618 AA
Bracket			
1969	6 filler neck	93-98	4.85 F3LY 17651 B
286	7 lower	93-96	12.68 F3LY 17651 A
1319		97-98	47.68 F7LZ 17651 AA
287	8 Reservoir cap	93-96	5.46 F2UZ 17632 A
1320		97-98	4.13 F7LZ 17632 AA
288	9 Washer pump	93-96	25.25 E5TZ 17664 B
1580		97-98	25.25 F6SZ 17664 BA
768	10 seal	93-98	1.88 E6FZ 17B610 A
289	11 Level sensor	93-98	11.47 F2AZ 17B649 A
Hose			
769	12 front	93-98	14.43 F3LY 17A605 B
770	13 rear	93-98	6.67 F3LY 17A605 A
771	14 T-connector	93-98	13.72 F3LY 17A601 A
772	15 adapter	93-98 R	1.32 F3LY 17A612 A
773	16	93-98 L	1.35 F3LY 17A612 B
290	17 Nozzle	93-98	10.51 0.4 F3SZ 17603 A

† **LABOR:** Time is for motor and pivot assembly. Includes R&R cowl grilles.

COWL



PARTS AND R&R OPERATIONS

COWL			
261	1 Vent screen	93-96 R	54.15 0.3 F7LZ 63018A16 AAA
262	2	93-96 L	56.90 0.3 F3LY 63018A17 A
1322		97-98 R	54.15 0.3 F7LZ 63018A16 AAA
1323		97-98 L	48.87 0.3 F7LZ 63018A17 AAA
764	3 retainer	93-98	1.05 D9BZ 5402316 B
1974	4 extension	93-96	23.13 F3LY 63021A36 A
1972		97-98	21.97 F7LZ 63021A36 AB
Cowl top panel			
259	5 outer	(p1.0) 93-97 R	134.62 F3LY 6302012 A
260	6 inner	93-96	172.14 F3LY 6302018 A
1321		97-98	114.77 F7LZ 6302018 AA
Water deflector			
765	7 before 8/94	93-94	27.12 F2SZ 6302184 A
1325	from 8/94	94-98	8.97 F4LZ 6302184 AA
766	8 Sound absorber	93-95	74.96 F3LY 63023A44 A
1326		96-98	13.74 F6LZ 63023A44 AA
263	7 Dash panel	93-96	169.65 F4LY 6301610 A
1327		97-98	172.88 F7LZ 6301610 AF
1977	8 cover plate	93-98	9.95 F3LY 63017B06 A
1976	9 Lower insulator	97-98	76.61 F7LZ 63017A40 AE
Reinforcement			
264	10 at master cylinder	93-98	32.70 F3LY 63016B28 A
265	11 side, lower	93-98 R	28.13 E9SZ 63101A72 A
1978		93-98 L	59.83 F4SZ 63101A73 AA